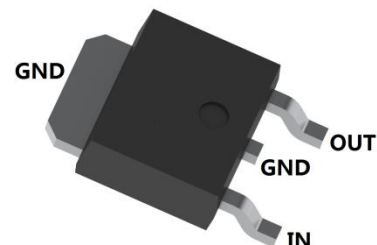
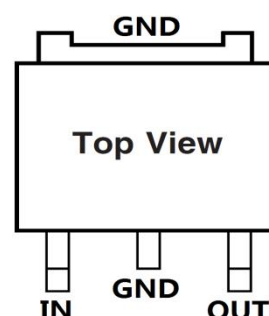


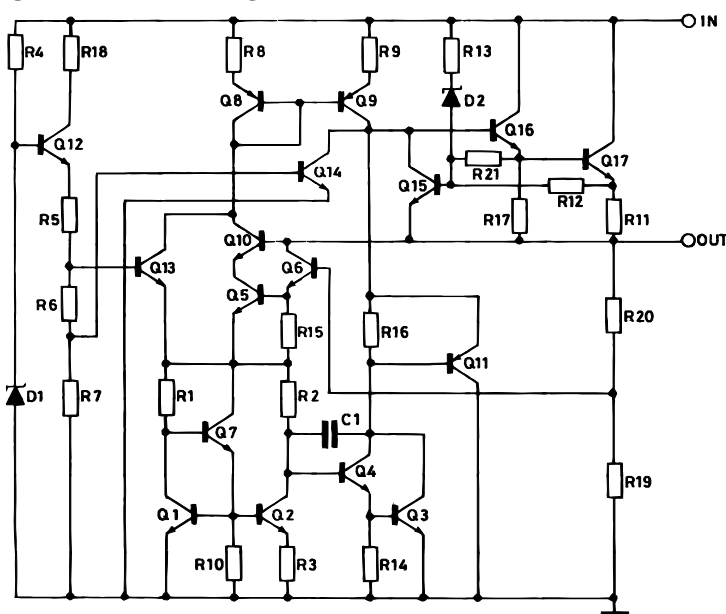
Three Terminal Positive Voltage Regulator

FEATURES

- Maximum Output Current I_o : 0.5 A
- Output Voltage V_o : 5 V, 6V, 8V, 9V, 12V, 15V, 18V, 20V, 24V
- Continuous Total Dissipation
 P_D : 1.25 W ($T_a = 25\text{ }^\circ\text{C}$)
- Surface Mount device


TO-252


SCHEMATIC DIAGRAM



MECHANICAL DATA

- Case: TO-252
- Case Material: Molded Plastic. UL flammability
- Classification Rating: 94V-0
- Weight: 0.055 grams (approximate)

MAXIMUM RATINGS (Operating temperature range applies unless otherwise specified)

Parameter	Symbol	Value	Unit
Input Voltage	V_i	35	V
Power Dissipation	P_D	1250	mW
Thermal Resistance from Junction to Ambient	$R_{\theta JA}$	80	$^\circ\text{C/W}$
Operating Temperature	T_{opr}	-25~+125	$^\circ\text{C}$
Storage Temperature Range	T_{STG}	-65 ~+150	$^\circ\text{C}$

Three Terminal Positive Voltage Regulator

ELECTRICAL CHARACTERISTICS OF 78M05 AT SPECIFIED VIRTUAL JUNCTION TEMPERATURE ($V_i=10V, I_o=350mA, C_i=0.33\mu F, C_o=0.1\mu F$, unless otherwise specified)

Parameter	Symbol	Min	Typ	Max	Unit	Conditions
Output voltage	V_o	4.80	5.0	5.20	V	$T_J=+25^\circ C$
		4.75	5.0	5.25	V	$7V \leq V_i \leq 20V, I_o=5mA \sim 350mA, -25^\circ C \leq T_J \leq +125^\circ C$
Load Regulation	ΔV_o		15	100	mV	$I_o=5mA \sim 500mA, T_J=+25^\circ C$
			5	50	mV	$I_o=5mA \sim 200mA, T_J=+25^\circ C$
Line regulation	ΔV_o		3	100	mV	$7V \leq V_i \leq 25V, I_o=200mA, T_J=+25^\circ C$
			1	50	mV	$8V \leq V_i \leq 25V, I_o=200mA, T_J=+25^\circ C$
Quiescent Current	I_q		4.2	6	mA	$T_J=+25^\circ C$
Quiescent Current Change	ΔI_q			0.8	mA	$8V \leq V_i \leq 25V, -25^\circ C \leq T_J \leq +125^\circ C$
				0.5	mA	$5mA \leq I_o \leq 350mA, -25^\circ C \leq T_J \leq +125^\circ C$
Output Noise Voltage	V_N		42		$\mu V/V_o$	$10Hz \leq f \leq 100kHz, T_J=+25^\circ C$
Ripple Rejection	RR	62	80		dB	$8V \leq V_i \leq 18V, f=120Hz, I_o=300mA, -25^\circ C \leq T_J \leq +125^\circ C$
Dropout Voltage	V_d		2	2.5	V	$I_o=350mA, T_J=+25^\circ C$
Short Circuit Current	I_{SC}		300		mA	$V_i=10V, T_J=+25^\circ C$
Peak Current	I_{pk}		0.5		A	$T_J=+25^\circ C$

*Pulse Test

ELECTRICAL CHARACTERISTICS OF 78M06 AT SPECIFIED VIRTUAL JUNCTION TEMPERATURE ($V_i=11V, I_o=350mA, C_i=0.33\mu F, C_o=0.1\mu F$, unless otherwise specified)

Parameter	Symbol	Min	Typ	Max	Unit	Conditions
Output voltage	V_o	5.75	6.0	6.25	V	$T_J=+25^\circ C$
		5.7	6.0	6.3	V	$8V \leq V_i \leq 21V, I_o=5mA \sim 350mA, -25^\circ C \leq T_J \leq +125^\circ C$
Load Regulation	ΔV_o		18	120	mV	$I_o=5mA \sim 500mA, T_J=+25^\circ C$
			10	60	mV	$I_o=5mA \sim 200mA, T_J=+25^\circ C$
Line regulation	ΔV_o		5	100	mV	$8V \leq V_i \leq 25V, I_o=200mA, T_J=+25^\circ C$
			1.5	50	mV	$9V \leq V_i \leq 25V, I_o=200mA, T_J=+25^\circ C$
Quiescent Current	I_q		4.3	6	mA	$T_J=+25^\circ C$
Quiescent Current Change	ΔI_q			0.8	mA	$9V \leq V_i \leq 25V, I_o=200mA, -25^\circ C \leq T_J \leq +125^\circ C$
				0.5	mA	$5mA \leq I_o \leq 350mA, -25^\circ C \leq T_J \leq +125^\circ C$
Output Noise Voltage	V_N		45		$\mu V/V_o$	$10Hz \leq f \leq 100kHz, T_J=+25^\circ C$
Ripple Rejection	RR	59	80		dB	$9V \leq V_i \leq 19V, f=120Hz, I_o=300mA, -25^\circ C \leq T_J \leq +125^\circ C$
Dropout Voltage	V_d		2		V	$I_o=350mA, T_J=+25^\circ C$
Short Circuit Current	I_{SC}		270		mA	$V_i=11V, T_J=+25^\circ C$
Peak Current	I_{pk}		0.5		A	$T_J=+25^\circ C$

*Pulse Test

Three Terminal Positive Voltage Regulator

ELECTRICAL CHARACTERISTICS OF 78M08 AT SPECIFIED VIRTUAL JUNCTION TEMPERATURE ($V_i=14V, I_o=350mA, C_i=0.33\mu F, C_o=0.1\mu F$, unless otherwise specified)

Parameter	Symbol	Min	Typ	Max	Unit	Conditions
Output voltage	V_o	7.7	8.0	8.3	V	$T_J=+25^\circ C$
		7.6	8.0	8.4	V	$10.5V \leq V_i \leq 23V, I_o=5mA \sim 350mA, -25^\circ C \leq T_J \leq +125^\circ C$
Load Regulation	ΔV_o		20	160	mV	$I_o=5mA \sim 500mA, T_J=+25^\circ C$
			10	80	mV	$I_o=5mA \sim 200mA, T_J=+25^\circ C$
Line regulation	ΔV_o		6	100	mV	$10.5V \leq V_i \leq 25V, I_o=200mA, T_J=+25^\circ C$
			2	50	mV	$11V \leq V_i \leq 25V, I_o=200mA, T_J=+25^\circ C$
Quiescent Current	I_q		4.6	6	mA	$T_J=+25^\circ C$
Quiescent Current Change	ΔI_q			0.8	mA	$10.5V \leq V_i \leq 25V, I_o=200mA, -25^\circ C \leq T_J \leq +125^\circ C$
				0.5	mA	$5mA \leq I_o \leq 350mA, -25^\circ C \leq T_J \leq +125^\circ C$
Output Noise Voltage	V_N		52		$\mu V/V_o$	$10Hz \leq f \leq 100kHz, T_J=+25^\circ C$
Ripple Rejection	RR	56	80		dB	$11.5V \leq V_i \leq 21.5V, f=120Hz, I_o=300mA, -25^\circ C \leq T_J \leq +125^\circ C$
Dropout Voltage	V_d		2		V	$I_o=350mA, T_J=+25^\circ C$
Short Circuit Current	I_{SC}		250		mA	$V_i=14V, T_J=+25^\circ C$
Peak Current	I_{pk}		0.5		A	$T_J=+25^\circ C$

*Pulse Test

ELECTRICAL CHARACTERISTICS OF 78M09 AT SPECIFIED VIRTUAL JUNCTION TEMPERATURE ($V_i=16V, I_o=350mA, C_i=0.33\mu F, C_o=0.1\mu F$, unless otherwise specified)

Parameter	Symbol	Min	Typ	Max	Unit	Conditions
Output voltage	V_o	8.65	9.0	9.35	V	$T_J=+25^\circ C$
		8.55	9.0	9.45	V	$11.5V \leq V_i \leq 24V, I_o=5mA \sim 350mA, -25^\circ C \leq T_J \leq +125^\circ C$
Load Regulation	ΔV_o		20	180	mV	$I_o=5mA \sim 500mA, T_J=+25^\circ C$
			10	90	mV	$I_o=5mA \sim 200mA, T_J=+25^\circ C$
Line regulation	ΔV_o		6	100	mV	$11.5V \leq V_i \leq 26V, I_o=200mA, T_J=+25^\circ C$
			2	50	mV	$12V \leq V_i \leq 26V, I_o=200mA, T_J=+25^\circ C$
Quiescent Current	I_q		4.6	6	mA	$T_J=+25^\circ C$
Quiescent Current Change	ΔI_q			0.8	mA	$11.5V \leq V_i \leq 26V, I_o=200mA, -25^\circ C \leq T_J \leq +125^\circ C$
				0.5	mA	$5mA \leq I_o \leq 350mA, -25^\circ C \leq T_J \leq +125^\circ C$
Output Noise Voltage	V_N		60		$\mu V/V_o$	$10Hz \leq f \leq 100kHz, T_J=+25^\circ C$
Ripple Rejection	RR	56	80		dB	$13V \leq V_i \leq 23V, f=120Hz, I_o=300mA, -25^\circ C \leq T_J \leq +125^\circ C$
Dropout Voltage	V_d		2		V	$I_o=350mA, T_J=+25^\circ C$
Short Circuit Current	I_{SC}		250		mA	$V_i=16V, T_J=+25^\circ C$
Peak Current	I_{pk}		0.5		A	$T_J=+25^\circ C$

*Pulse Test

Three Terminal Positive Voltage Regulator

ELECTRICAL CHARACTERISTICS OF 78M12 AT SPECIFIED VIRTUAL JUNCTION TEMPERATURE ($V_i=19V, I_o=350mA, C_i=0.33\mu F, C_o=0.1\mu F$, unless otherwise specified)

Parameter	Symbol	Min	Typ	Max	Unit	Conditions
Output voltage	V_o	11.5	12	12.5	V	$T_J=+25^\circ C$
		11.4	12	12.6	V	$14.5V \leq V_i \leq 27V, I_o=5mA \sim 350mA, -25^\circ C \leq T_J \leq +125^\circ C$
Load Regulation	ΔV_o		25	240	mV	$I_o=5mA \sim 500mA, T_J=+25^\circ C$
			10	120	mV	$I_o=5mA \sim 200mA, T_J=+25^\circ C$
Line regulation	ΔV_o		10	100	mV	$14.5V \leq V_i \leq 30V, I_o=200mA, T_J=+25^\circ C$
			3	50	mV	$16V \leq V_i \leq 30V, I_o=200mA, T_J=+25^\circ C$
Quiescent Current	I_q		4.6	6	mA	$T_J=+25^\circ C$
Quiescent Current Change	ΔI_q			0.8	mA	$14.5V \leq V_i \leq 30V, I_o=200mA, -25^\circ C \leq T_J \leq +125^\circ C$
				0.5	mA	$5mA \leq I_o \leq 350mA, -25^\circ C \leq T_J \leq +125^\circ C$
Output Voltage Drift	$\Delta V/\Delta T$		-0.5		mV/ $^\circ C$	$I_o=5mA, -25^\circ C \leq T_J \leq +125^\circ C$
Output Noise Voltage	V_N		75		$\mu V/V_o$	$10Hz \leq f \leq 100kHz, T_J=+25^\circ C$
Ripple Rejection	RR	55	80		dB	$15V \leq V_i \leq 25V, f=120Hz, I_o=300mA, -25^\circ C \leq T_J \leq +125^\circ C$
Dropout Voltage	V_d		2		V	$I_o=350mA, T_J=+25^\circ C$
Short Circuit Current	I_{SC}		300		mA	$V_i=35V, T_J=+25^\circ C$
Peak Current	I_{pk}		700		mA	$T_J=+25^\circ C$

*Pulse Test

ELECTRICAL CHARACTERISTICS OF 78M15 AT SPECIFIED VIRTUAL JUNCTION TEMPERATURE ($V_i=23V, I_o=350mA, C_i=0.33\mu F, C_o=0.1\mu F$, unless otherwise specified)

Parameter	Symbol	Min	Typ	Max	Unit	Conditions
Output voltage	V_o	14.4	15	15.6	V	$V_i=23V, I_o=350mA, T_J=+25^\circ C$
		14.25	15	15.75	V	$17.5V \leq V_i \leq 30V, I_o=5mA \sim 350mA, -25^\circ C \leq T_J \leq +125^\circ C$
Load Regulation	ΔV_o			300	mV	$I_o=5mA \sim 500mA, T_J=+25^\circ C$
				150	mV	$I_o=5mA \sim 200mA, T_J=+25^\circ C$
Line regulation	ΔV_o			100	mV	$17.5V \leq V_i \leq 30V, I_o=200mA, T_J=+25^\circ C$
				50	mV	$20V \leq V_i \leq 26V, I_o=200mA, T_J=+25^\circ C$
Quiescent Current	I_q		4.1	6	mA	$V_i=23V, I_o=350mA, T_J=+25^\circ C$
Quiescent Current Change	ΔI_q			0.8	mA	$17.5V \leq V_i \leq 30V, I_o=200mA, -25^\circ C \leq T_J \leq +125^\circ C$
				0.5	mA	$V_i=23V, 5mA \leq I_o \leq 350mA, -25^\circ C \leq T_J \leq +125^\circ C$
Output Voltage Drift	$\Delta V/\Delta T$		-1		mV/ $^\circ C$	$I_o=5mA, -25^\circ C \leq T_J \leq +125^\circ C$
Output Noise Voltage	V_N		100		$\mu V/V_o$	$10Hz \leq f \leq 100kHz, T_J=+25^\circ C$
Ripple Rejection	RR		70		dB	$18.5V \leq V_i \leq 28.5V, f=120Hz, I_o=300mA, -25^\circ C \leq T_J \leq +125^\circ C$
Dropout Voltage	V_d		2		V	$T_J=+25^\circ C$
Short Circuit Current	I_{SC}		300		mA	$V_i=35V, T_J=+25^\circ C$
Peak Current	I_{pk}		700		mA	$T_J=+25^\circ C$

*Pulse Test

Three Terminal Positive Voltage Regulator

ELECTRICAL CHARACTERISTICS OF 78M18 AT SPECIFIED VIRTUAL JUNCTION TEMPERATURE ($V_i=26V, I_o=350mA, C_i=0.33\mu F, C_o=0.1\mu F$, unless otherwise specified)

Parameter	Symbol	Min	Typ	Max	Unit	Conditions
Output voltage	V_o	17.3	18	18.7	V	$V_i=26V, I_o=350mA, T_J=+25^\circ C$
		17.1	18	18.9	V	$20.5V \leq V_i \leq 33V, I_o=5mA \sim 350mA, -25^\circ C \leq T_J \leq +125^\circ C$
Load Regulation	ΔV_o			360	mV	$I_o=5mA \sim 500mA, T_J=+25^\circ C$
				180	mV	$I_o=5mA \sim 200mA, T_J=+25^\circ C$
Line regulation	ΔV_o			100	mV	$21V \leq V_i \leq 33V, I_o=200mA, T_J=+25^\circ C$
				50	mV	$24V \leq V_i \leq 33V, I_o=200mA, T_J=+25^\circ C$
Quiescent Current	I_q		4.2	6	mA	$V_i=26V, I_o=350mA, T_J=+25^\circ C$
Quiescent Current Change	ΔI_q			0.8	mA	$21V \leq V_i \leq 33V, I_o=200mA, -25^\circ C \leq T_J \leq +125^\circ C$
				0.5	mA	$V_i=26V, 5mA \leq I_o \leq 350mA, -25^\circ C \leq T_J \leq +125^\circ C$
Output Voltage Drift	$\Delta V/\Delta T$		-1.1		mV/ $^\circ C$	$I_o=5mA, -25^\circ C \leq T_J \leq +125^\circ C$
Output Noise Voltage	V_N		100		$\mu V/V_o$	$10Hz \leq f \leq 100kHz, T_J=+25^\circ C$
Ripple Rejection	RR		70		dB	$22V \leq V_i \leq 32V, f=120Hz, I_o=300mA, -25^\circ C \leq T_J \leq +125^\circ C$
Dropout Voltage	V_d		2		V	$T_J=+25^\circ C, I_o=500mA$
Short Circuit Current	I_{SC}		300		mA	$T_J=+25^\circ C, V_i=35V$
Peak Current	I_{PK}		700		mA	$T_J=+25^\circ C$

*Pulse Test

ELECTRICAL CHARACTERISTICS OF 78M20 AT SPECIFIED VIRTUAL JUNCTION TEMPERATURE ($V_i=29V, I_o=350mA, C_i=0.33\mu F, C_o=0.1\mu F$, unless otherwise specified)

Parameter	Symbol	Min	Typ	Max	Unit	Conditions
Output voltage	V_o	19.2	20	20.8	V	$V_i=29V, I_o=350mA, T_J=+25^\circ C$
		19	20	21	V	$23V \leq V_i \leq 35V, I_o=5mA \sim 350mA, -25^\circ C \leq T_J \leq +125^\circ C$
Load Regulation	ΔV_o			400	mV	$I_o=5mA \sim 500mA, T_J=+25^\circ C$
				200	mV	$I_o=5mA \sim 200mA, T_J=+25^\circ C$
Line regulation	ΔV_o			100	mV	$23V \leq V_i \leq 35V, I_o=200mA, T_J=+25^\circ C$
				50	mV	$24V \leq V_i \leq 35V, I_o=200mA, T_J=+25^\circ C$
Quiescent Current	I_q		4.2	6	mA	$V_i=29V, I_o=350mA, T_J=+25^\circ C$
Quiescent Current Change	ΔI_q			0.8	mA	$23V \leq V_i \leq 35V, I_o=200mA, -25^\circ C \leq T_J \leq +125^\circ C$
				0.5	mA	$V_i=29V, 5mA \leq I_o \leq 350mA, -25^\circ C \leq T_J \leq +125^\circ C$
Output Voltage Drift	$\Delta V/\Delta T$		-1.2		mV/ $^\circ C$	$I_o=5mA, -25^\circ C \leq T_J \leq +125^\circ C$
Output Noise Voltage	V_N		140		$\mu V/V_o$	$10Hz \leq f \leq 100kHz, T_J=+25^\circ C$
Ripple Rejection	RR		70		dB	$24V \leq V_i \leq 34V, f=120Hz, I_o=300mA, -25^\circ C \leq T_J \leq +125^\circ C$
Dropout Voltage	V_d		2		V	$T_J=+25^\circ C, I_o=500mA$
Short Circuit Current	I_{SC}		300		mA	$T_J=+25^\circ C, V_i=35V$
Peak Current	I_{PK}		700		mA	$T_J=+25^\circ C$

*Pulse Test

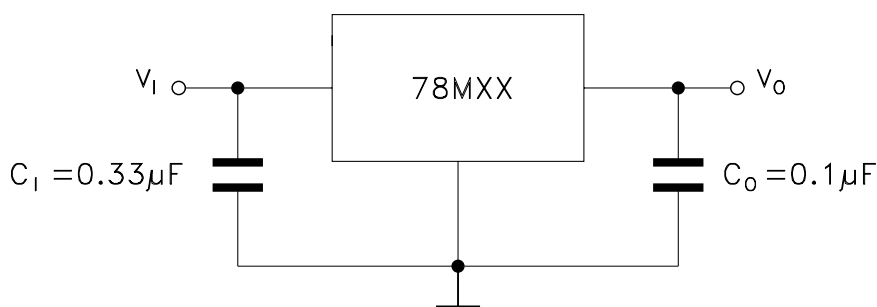
Three Terminal Positive Voltage Regulator

ELECTRICAL CHARACTERISTICS OF 78M24 AT SPECIFIED VIRTUAL JUNCTION TEMPERATURE
 ($V_i=33V, I_o=350mA, C_i=0.33\mu F, C_o=0.1\mu F$, unless otherwise specified)

Parameter	Symbol	Min	Typ	Max	Unit	Conditions
Output voltage	V_o	23	24	25	V	$V_i=33V, I_o=350mA, T_J=+25^\circ C$
		22.8	24	25.2	V	$27V \leq V_i \leq 38V, I_o=5mA \sim 350mA, -25^\circ C \leq T_J \leq +125^\circ C$
Load Regulation	ΔV_o			480	mV	$I_o=5mA \sim 500mA, T_J=+25^\circ C$
				240	mV	$I_o=5mA \sim 200mA, T_J=+25^\circ C$
Line regulation	ΔV_o			100	mV	$27V \leq V_i \leq 38V, I_o=200mA, T_J=+25^\circ C$
				50	mV	$28V \leq V_i \leq 38V, I_o=200mA, T_J=+25^\circ C$
Quiescent Current	I_q		4.2	6	mA	$V_i=33V, I_o=350mA, T_J=+25^\circ C$
Quiescent Current Change	ΔI_q			0.8	mA	$27V \leq V_i \leq 38V, I_o=200mA, -25^\circ C \leq T_J \leq +125^\circ C$
				0.5	mA	$V_i=33V, 5mA \leq I_o \leq 350mA, -25^\circ C \leq T_J \leq +125^\circ C$
Output Voltage Drift	$\Delta V/\Delta T$		-1.2		mV/ $^\circ C$	$I_o=5mA, -25^\circ C \leq T_J \leq +125^\circ C$
Output Noise Voltage	V_N		170		$\mu V/V_o$	$10Hz \leq f \leq 100kHz, T_J=+25^\circ C$
Ripple Rejection	RR		70		dB	$28V \leq V_i \leq 38V, f=120Hz, I_o=300mA, -25^\circ C \leq T_J \leq +125^\circ C$
Dropout Voltage	V_d		2		V	$T_J=+25^\circ C, I_o=500mA$
Short Circuit Current	I_{SC}		300		mA	$T_J=+25^\circ C, V_i=35V$
Peak Current	I_{PK}		700		mA	$T_J=+25^\circ C$

*Pulse Test

TYPICAL APPLICATION

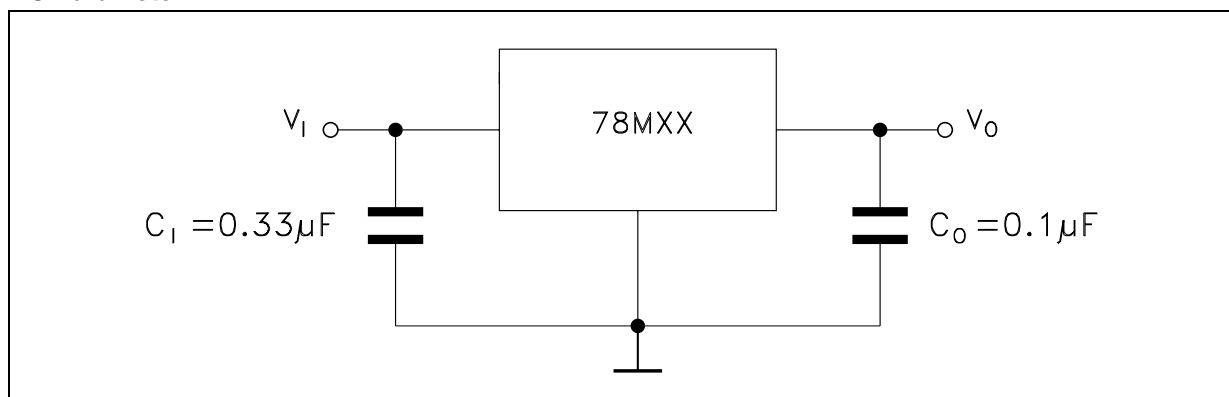


Note: Bypass capacitors are recommended for optimum stability and transient response and should be located as close as Possible to the regulators.

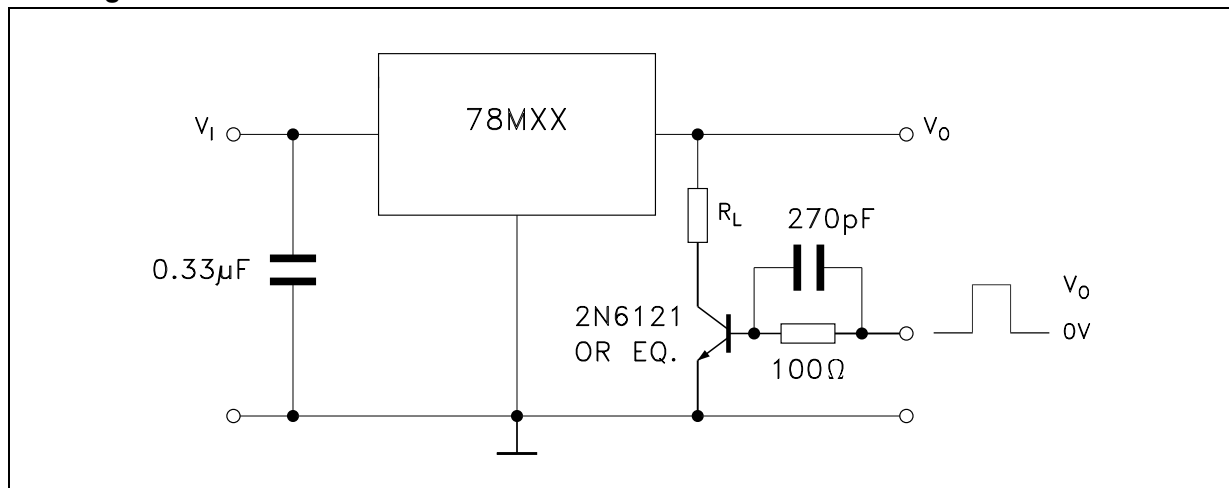
Three Terminal Positive Voltage Regulator

Test Circuits

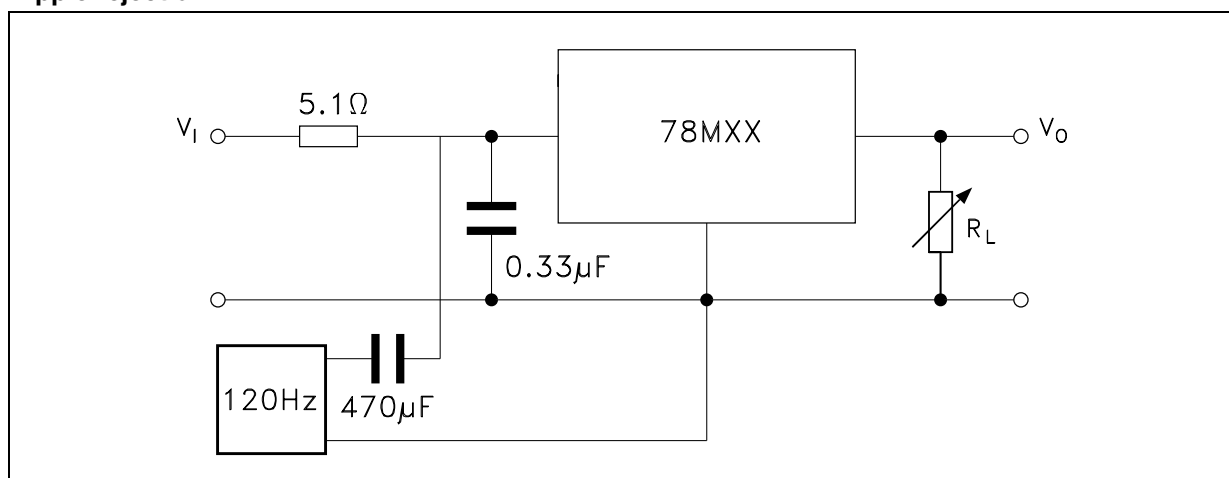
DC Parameter



Load regulation

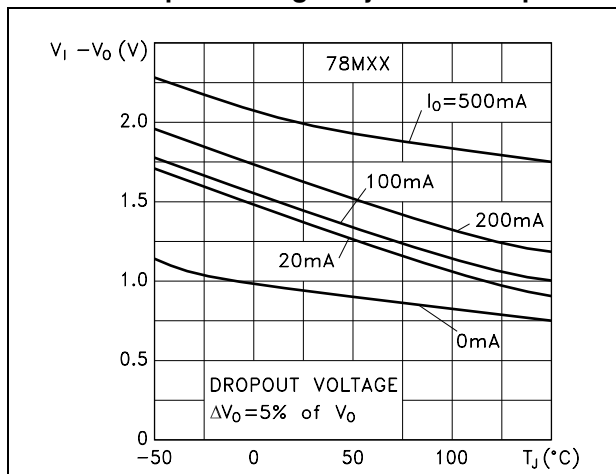
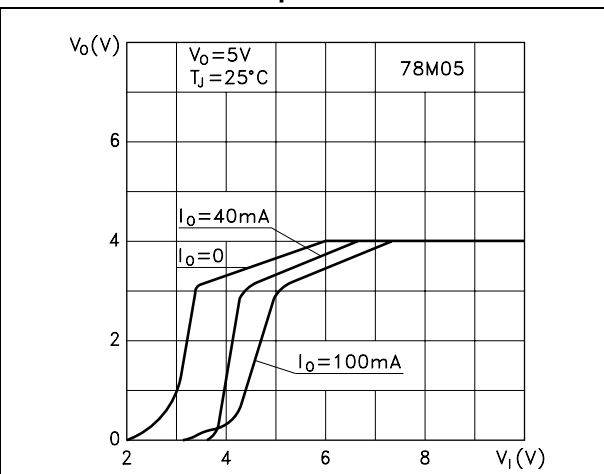
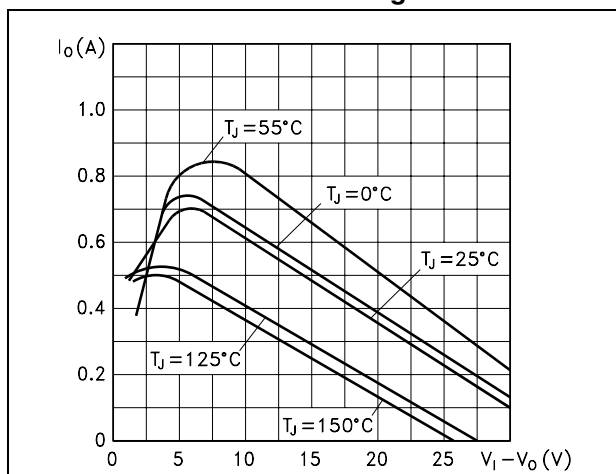
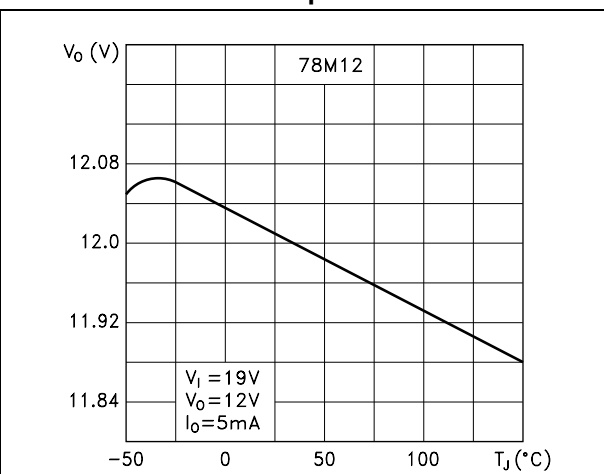
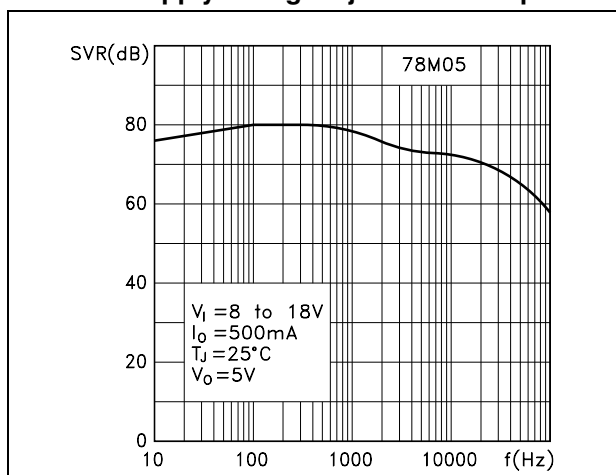
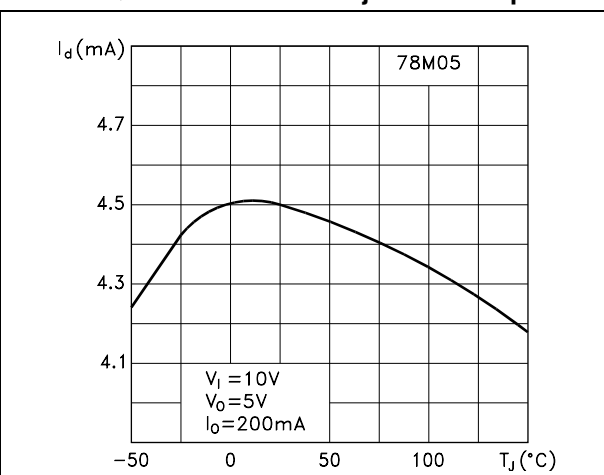


Ripple rejection



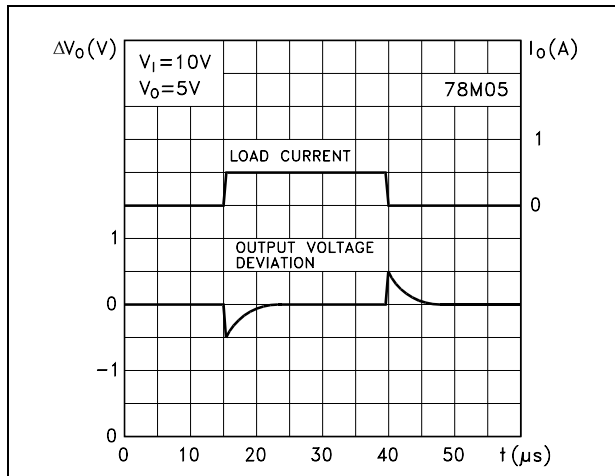
Three Terminal Positive Voltage Regulator

Typical Characteristics

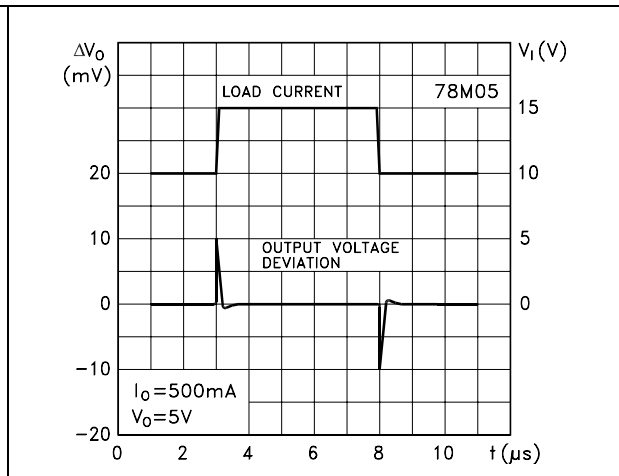
Dropout voltage vs junction temp.

Dropout characteristics

Peak output current vs input-output differential voltage

Output voltage vs junction temperature

Supply voltage rejection vs freq.

Quiescent current vs junction temp.


Three Terminal Positive Voltage Regulator

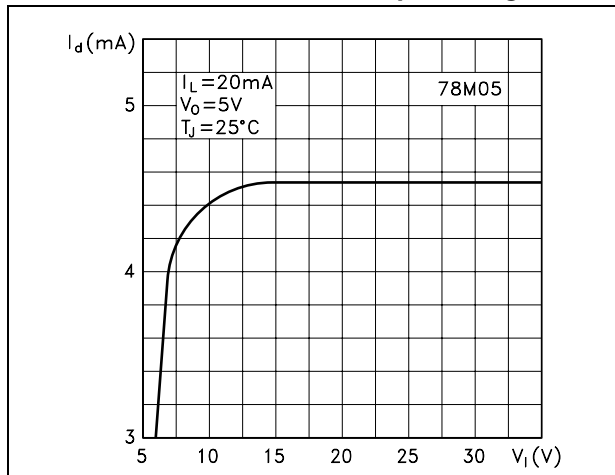
Load transient response



Line transient response

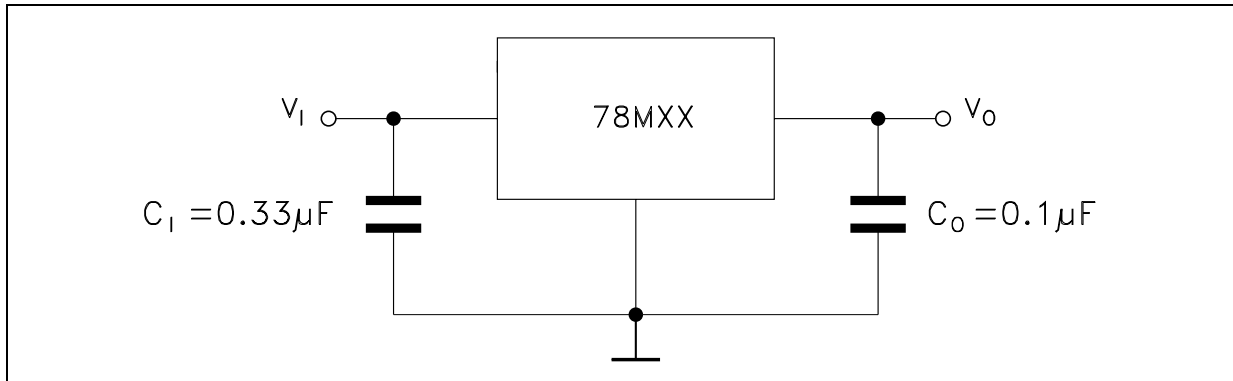


Quiescent current vs input voltage



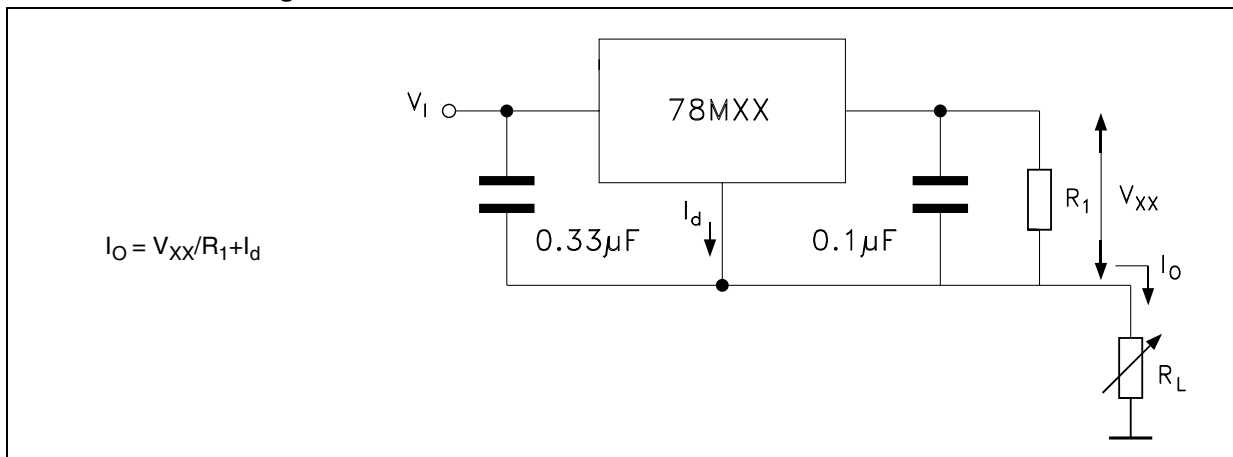
Three Terminal Positive Voltage Regulator

Fixed output regulator

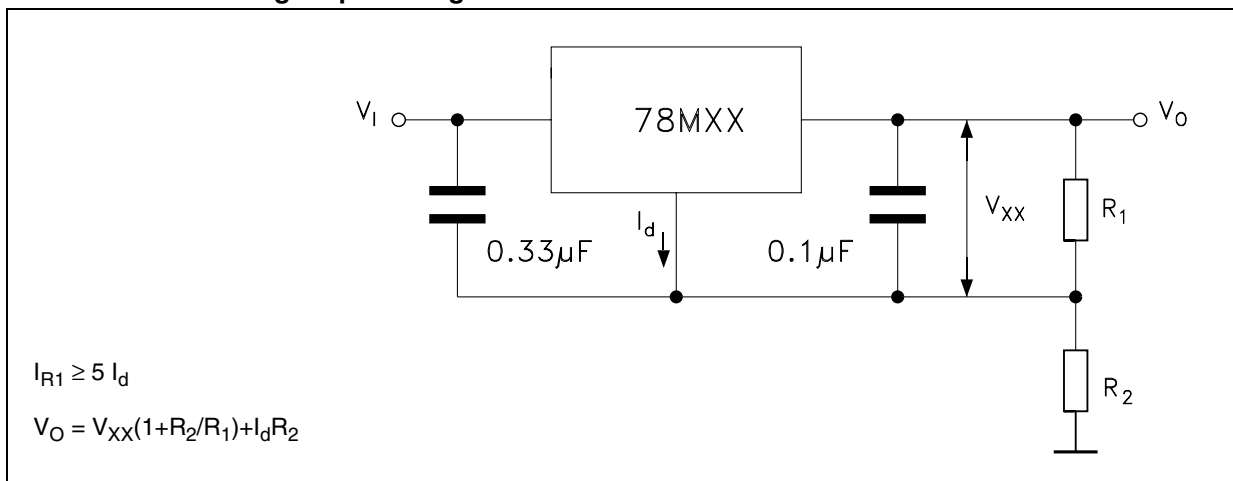


1. To specify an output voltage, substitute voltage value for "XX".
2. Although no output capacitor is need for stability, it does improve transient response.
3. Required if regulator is locate an appreciable distance from power supply filter.

Constant current regulator

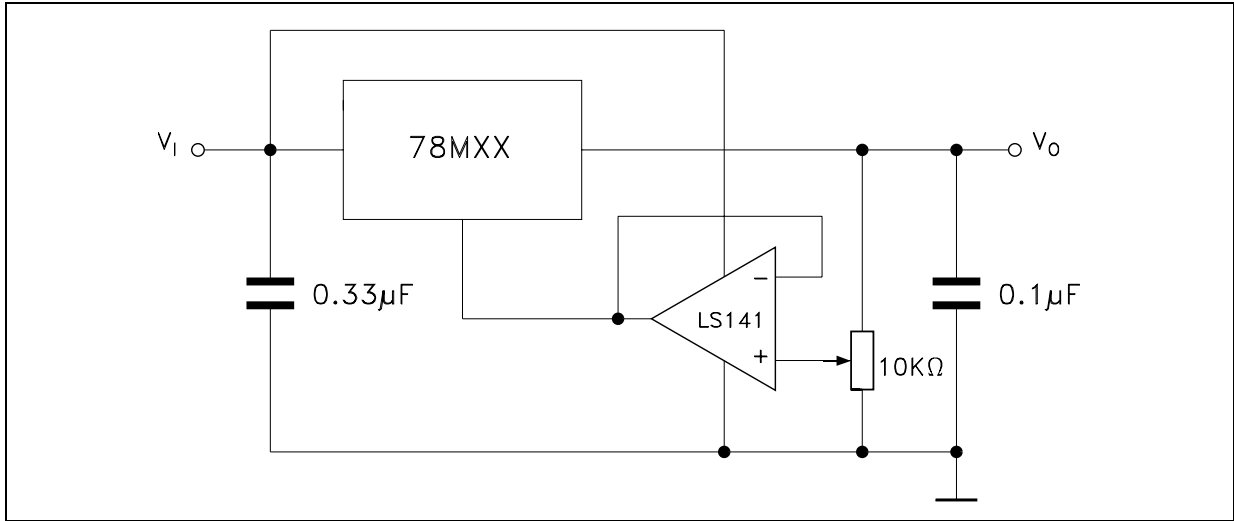


Circuit for increasing output voltage

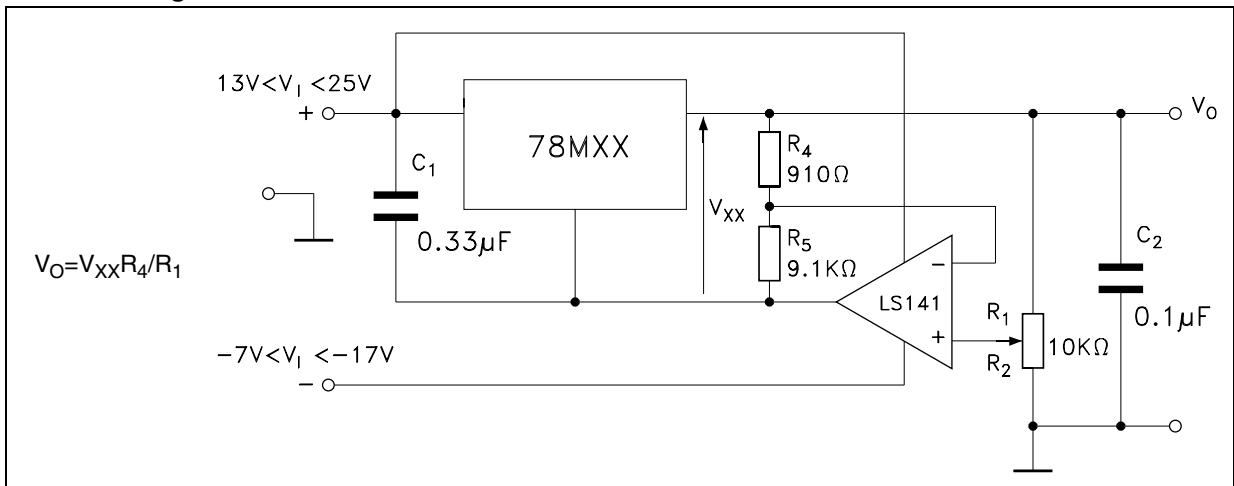


Three Terminal Positive Voltage Regulator

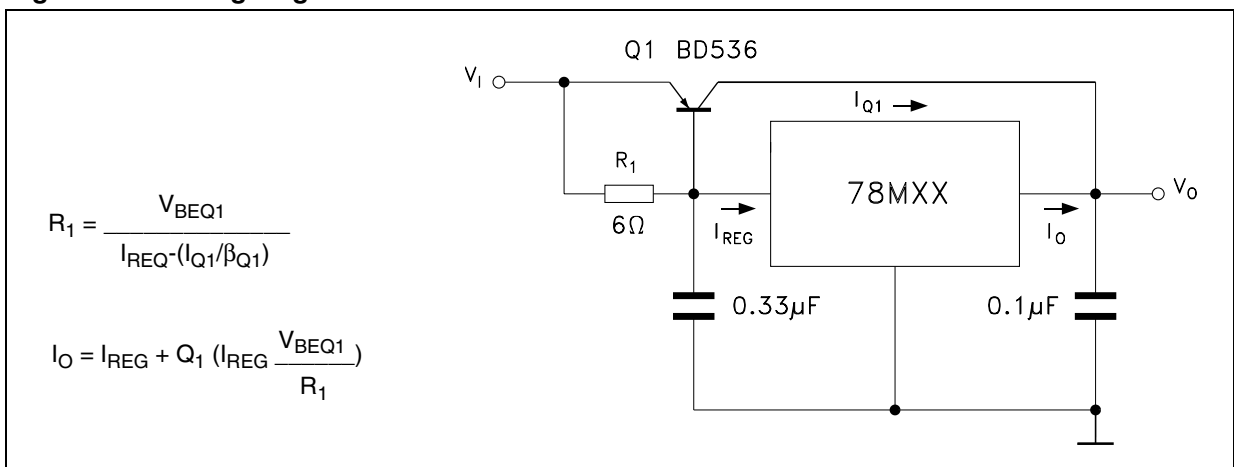
Adjustable output regulator (7 to 30V)



0.5 to 10V Regulator

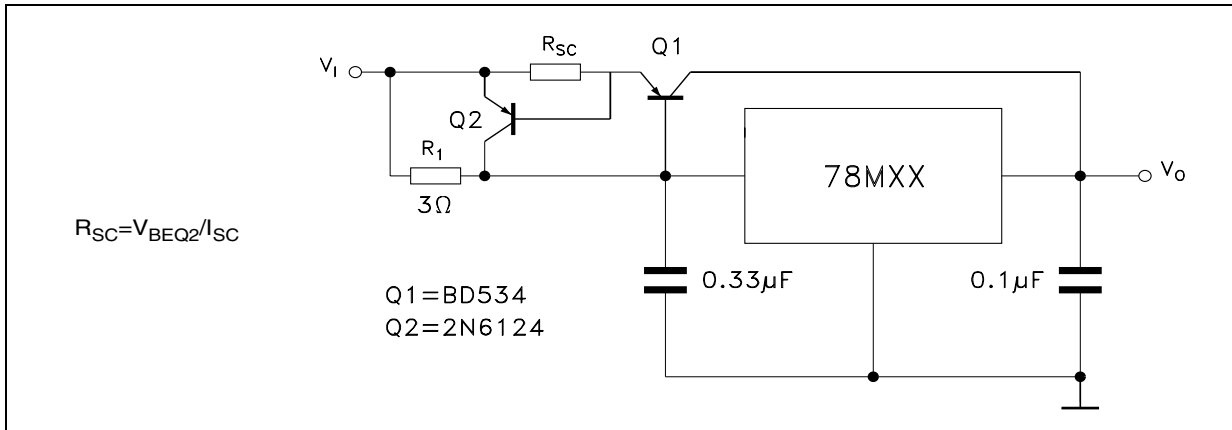


High current voltage regulator

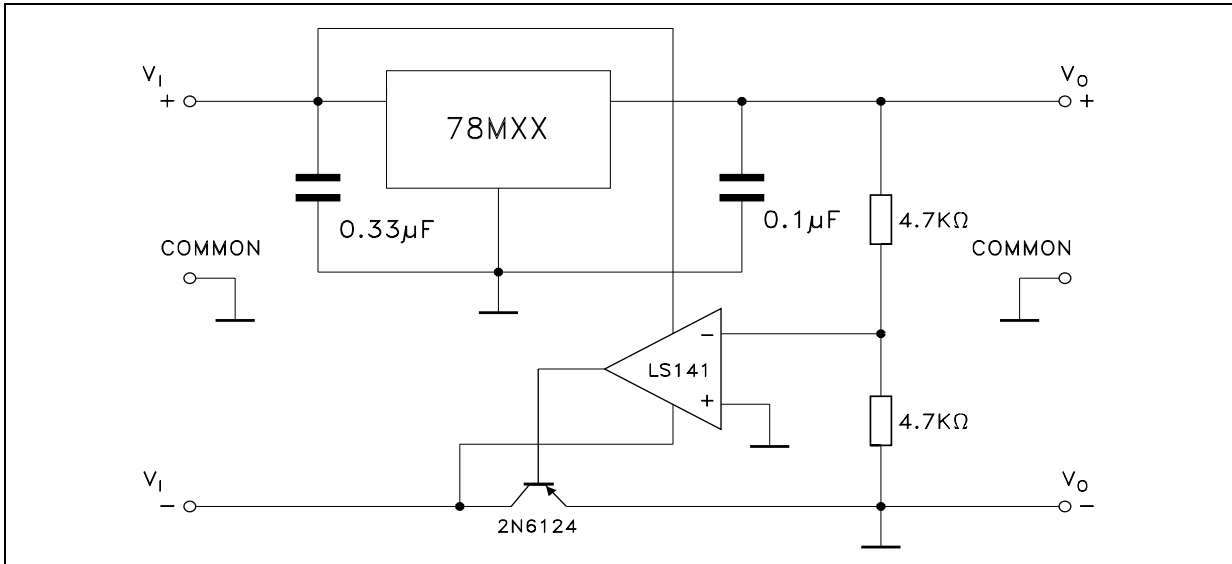


Three Terminal Positive Voltage Regulator

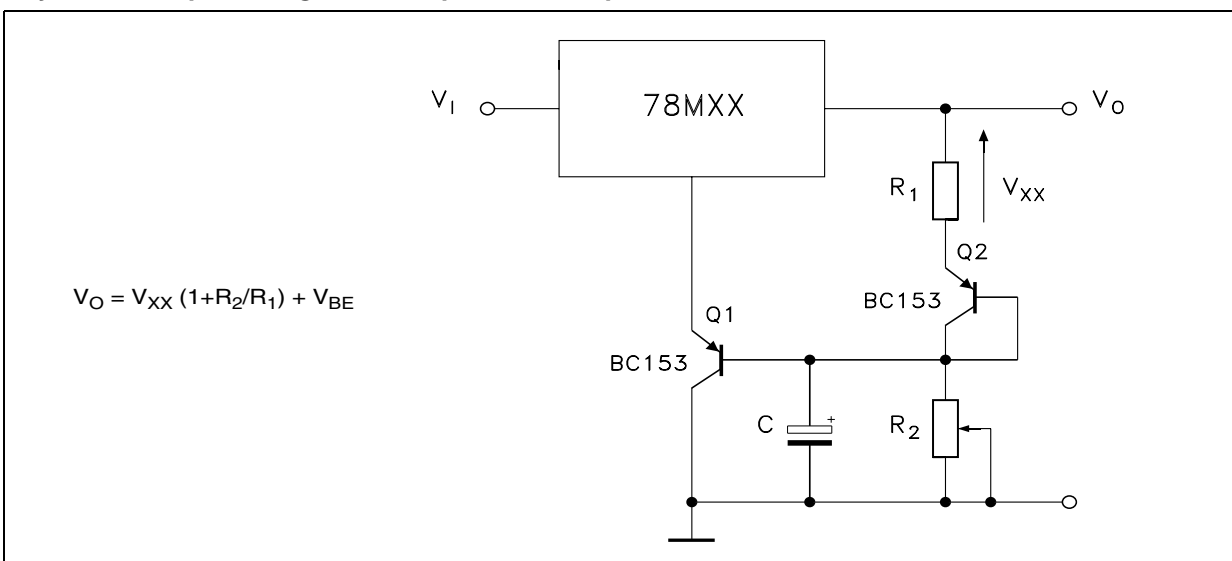
High output current with short circuit protection



Tracking voltage regulator



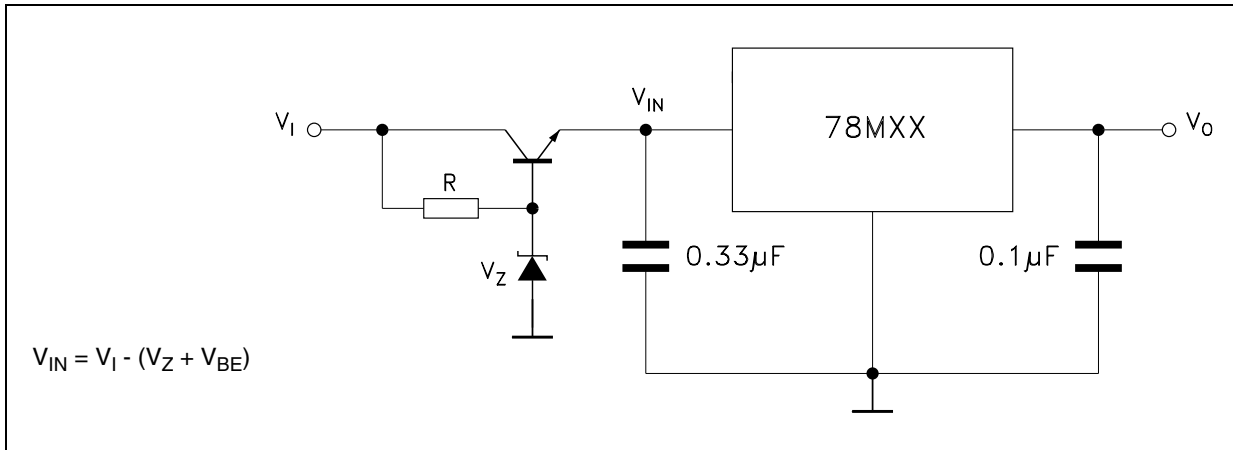
Adjustable output voltage with temperature compensation



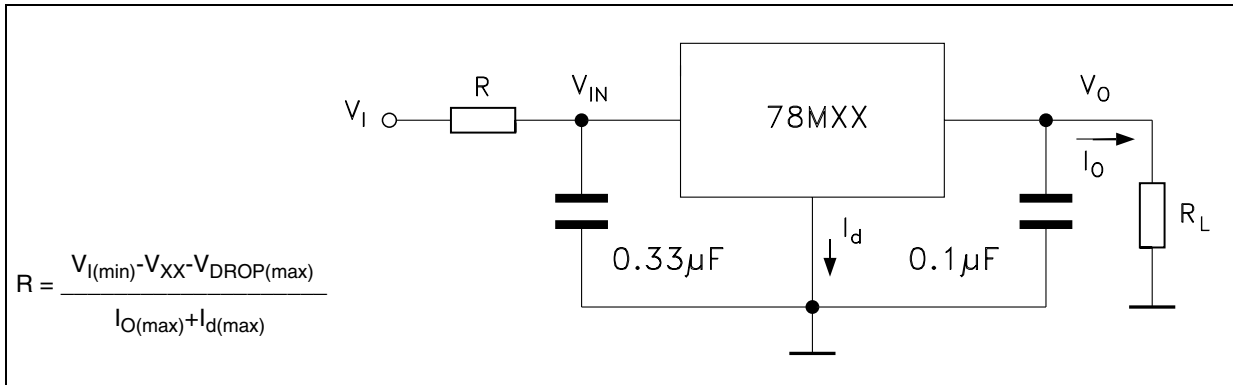
Note: Q_2 is connected as a diode in order to compensate the variation of the $Q_1 V_{BE}$ with the temperature. C allows a slow rise time of the V_O .

Three Terminal Positive Voltage Regulator

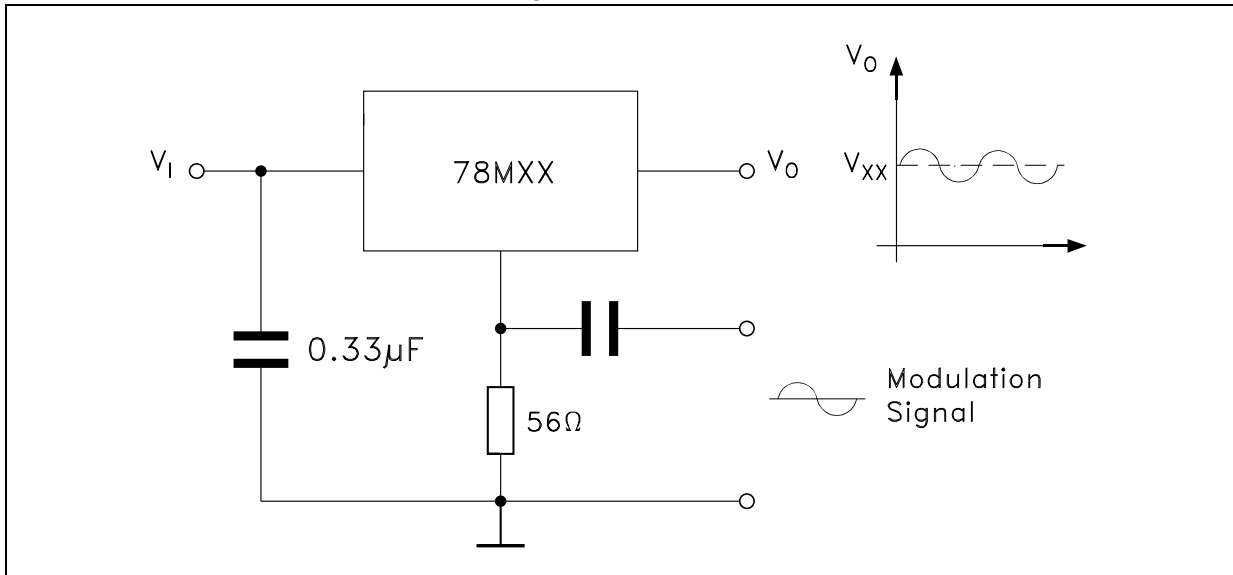
High input voltage circuit



Reducing power dissipation with dropping resistor



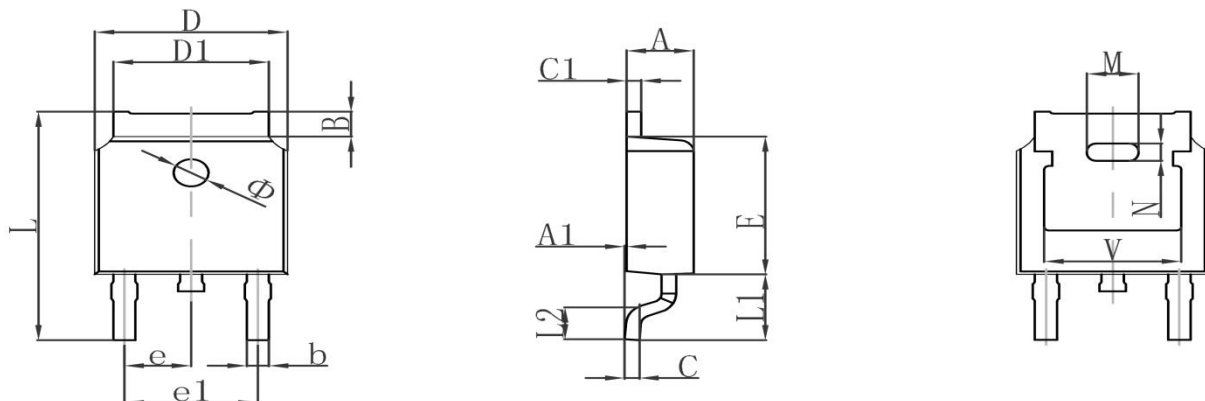
Power AM Modulator (unity voltage gain, $I_O \leq 0.5A$)



Note: The circuit performs well up to 100 KHz.

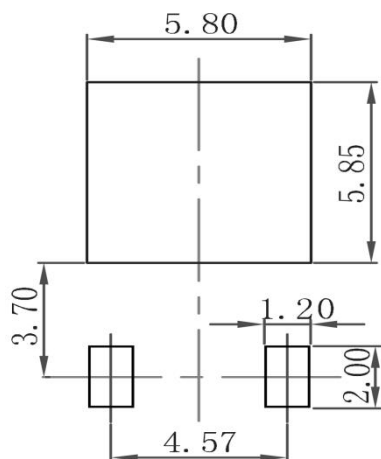
Three Terminal Positive Voltage Regulator

TO-252 Package Outline Dimensions



Symbol	Dimensions In Millimeters		Dimensions In Inches	
	Min.	Max.	Min.	Max.
A	2.200	2.380	0.087	0.094
A1	0.000	0.100	0.000	0.004
B	0.800	1.400	0.031	0.055
b	0.710	0.810	0.028	0.032
c	0.460	0.560	0.018	0.022
c1	0.460	0.560	0.018	0.022
D	6.500	6.700	0.256	0.264
D1	5.130	5.460	0.202	0.215
E	6.000	6.200	0.236	0.244
e	2.286TYP		0.090TYP	
e1	4.327	4.727	0.170	0.186
M	1.778REF		0.070REF	
N	0.762REF		0.018REF	
L	9.800	10.400	0.386	0.409
L1	2.9REF		0.114REF	
L2	1.400	1.700	0.055	0.067
V	4.830REF		0.190REF	
Φ	1.100	1.300	0.043	0.051

TO-252 Suggested Pad Layout



Note:

1. Controlling dimension: in millimeters
2. General tolerance: $\pm 0.05\text{mm}$
3. The pad layout is for reference purposes only